



## BFTX

### ROUND WALL MOUNTED FANS / Backward Curved

#### Fan Components and Material Properties

Square frame is electrostatic painted. The impeller is made of high quality galvanized sheet metal which is pressed against corrosion. All models have an external rotor motor with a closed structure and have air transport at max.40°C. Designed to work on the wall. It can be operated in any position. On request, the motor can be produced as thermally protected against high temperature. The terminal box is supplied with the product as standard. Suction nozzle is compatible with duct diameters and can be connected by clamp.

#### Fan Structure

Designed to work between round channels. The fan blades are aerodynamically curved and provide regular flow. The fans are composed of backward sloping and infrequently arranged fins.

#### Benefits

It can be easily mounted to the desired surface from the holes on the frame. It has a strong air flow. Speed can be adjusted with speed control devices.

#### Speed Control

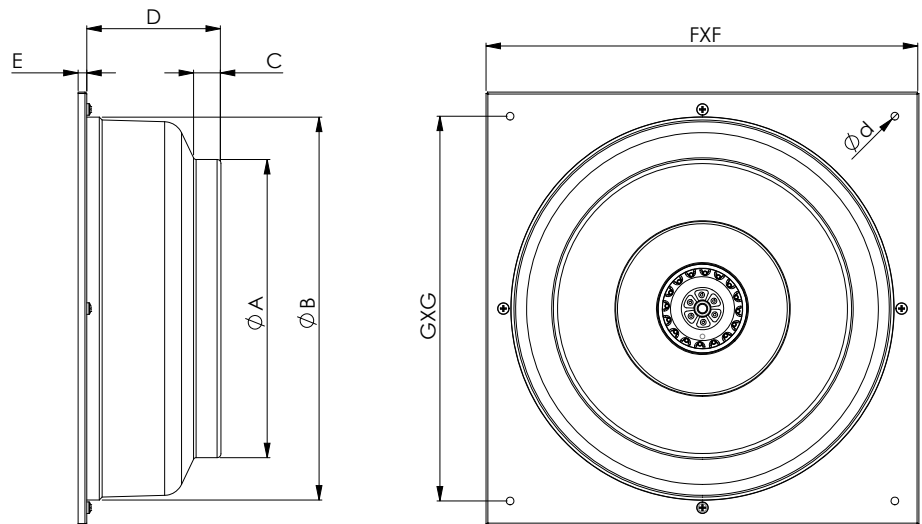
Optional control devices can be provided.

\* Linear voltage regulator speed control can be done. (see BSC accessory)

#### Usage Areas

Round duct fans are used in low and medium volume ventilation requirements in duct systems where the application area is limited. It should be used with oil holding filter in oily environments.

### Technical Drawing and Tables

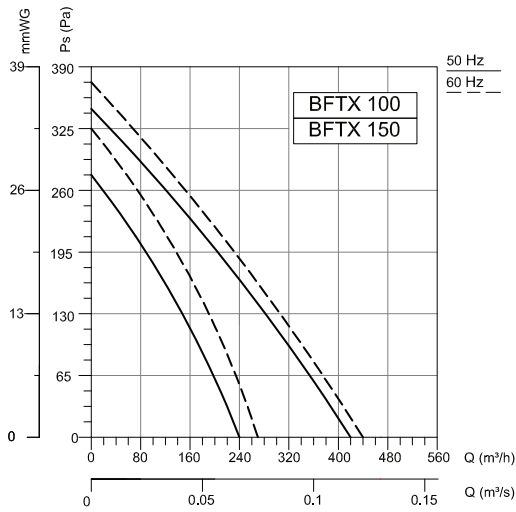


TYPE	ØA	ØB	C	D	E	F	G	d
BFTX 100	97	244	20	100	9	315	265	8
BFTX 150-B	147	270	24	105	9	400	350	8
BFTX 200-B	196	330	24	113	9	400	350	8
BFTX 250-B	246	330	24	116	9	400	350	8
BFTX 315-B	310	398	26	140	9	500	400	8

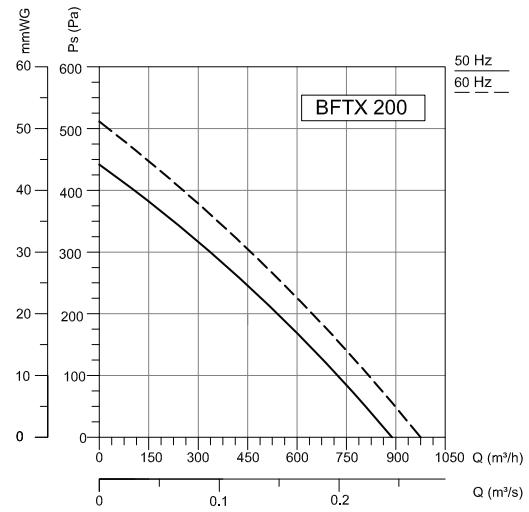
Dimensions are in (mm)

TYPE	VOLTAGE	FREQUENCY	POWER	CURRENT	CAPACITOR	SPEED	AIR FLOW	SOUND PRESSURE	INSULATION CLASS	PROTECTION CLASS	WEIGHT
	V	Hz	W	(A)	(µF)	r.p.m	m <sup>3</sup> /h	dB(A)	Ins.cl.	IP	kg
BFTX 100	230	50/60	70	0,3	2	2600/2900	240/270	44	B	44	2,7
BFTX 150-B	230	50/60	85/100	0,37/0,45	2,5	2430/2530	420/440	46	B	44	3,6
BFTX 200-B	230	50/60	110/140	0,48/0,63	4	2650/2950	870/970	48	B	44	4,8
BFTX 250-B	230	50/60	160/225	0,73/1,02	6	2550/2675	1150/1200	47	B	44	5,3
BFTX 315-B	230	50/60	200/280	0,88/0,97	7	2550/2700	1750/1890	49	B	44	6,6

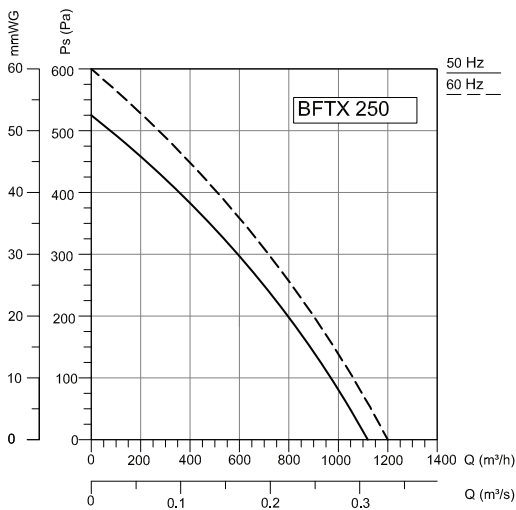
Sound Level Measured from 3m distance in room condition.



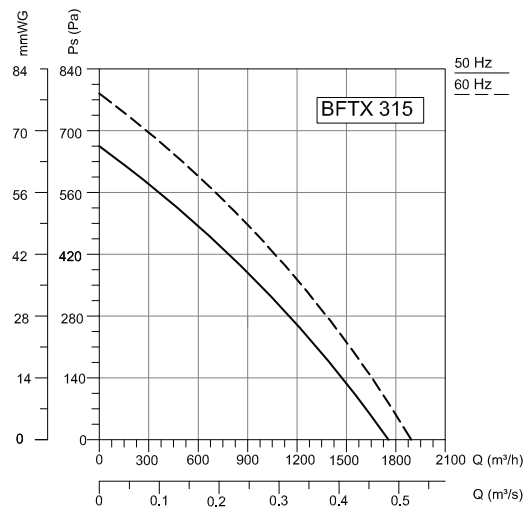
Frequency	Tot	63	125	250	500	1000	2000	4000	8000	Hz
L <sub>WA</sub> Inlet	71	54	65	62	65	64	60	52	40	dB(A)
L <sub>WA</sub> Outlet	68	54	64	58	62	61	58	50	37	dB(A)
L <sub>WA</sub> Surrounding	51	29	17	30	48	46	44	39	27	dB(A)



Frequency	Tot	63	125	250	500	1000	2000	4000	8000	Hz
L <sub>WA</sub> Inlet	72	42	61	65	66	67	63	56	54	dB(A)
L <sub>WA</sub> Outlet	71	49	59	62	65	67	64	58	53	dB(A)
L <sub>WA</sub> Surrounding	54	10	25	35	45	50	49	43	39	dB(A)



Frequency	Tot	63	125	250	500	1000	2000	4000	8000	Hz
L <sub>WA</sub> Inlet	71	42	61	64	65	66	62	56	54	dB(A)
L <sub>WA</sub> Outlet	70	49	58	60	64	66	63	58	53	dB(A)
L <sub>WA</sub> Surrounding	53	10	25	35	44	49	48	43	39	dB(A)



Frequency	Tot	63	125	250	500	1000	2000	4000	8000	Hz
L <sub>WA</sub> Inlet	74	54	64	68	68	66	64	61	56	dB(A)
L <sub>WA</sub> Outlet	75	59	65	69	67	68	68	61	55	dB(A)
L <sub>WA</sub> Surrounding	56	24	37	44	51	48	50	45	46	dB(A)

Accessories



